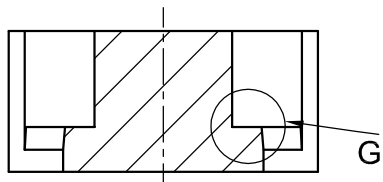
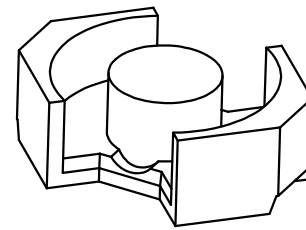
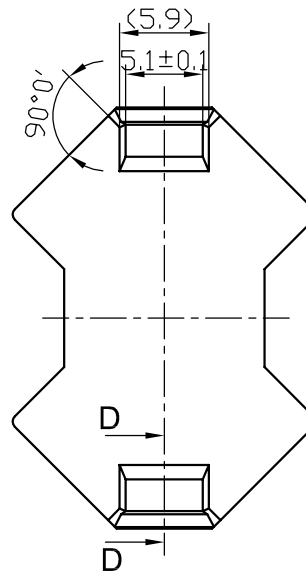
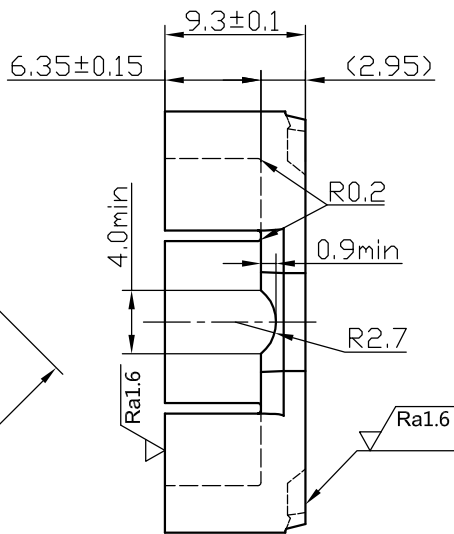
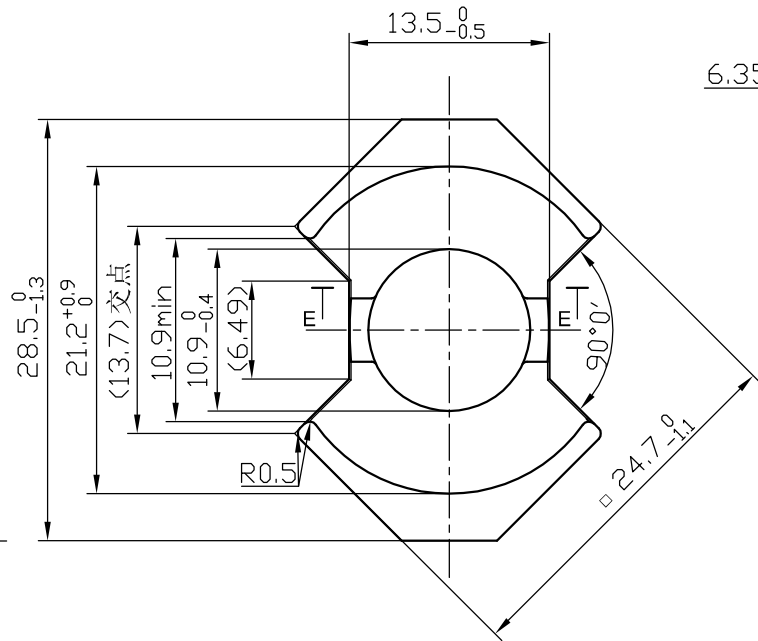
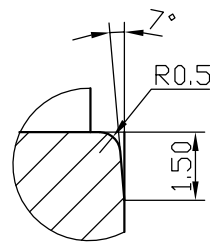


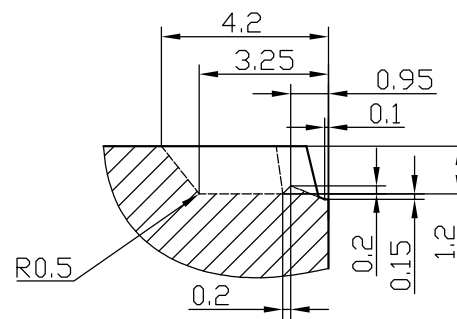
REVISION HISTORY			
Rev	DESCRIPTION	DATE	APPROVED



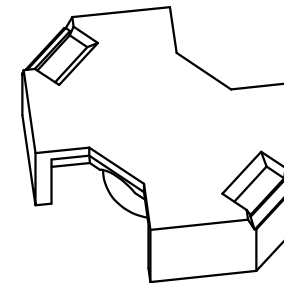
Section E-E



Detail G



Section D-D



	Scale	2: 1	Material	Customer Part number		
	Unit:	Standard tolerances		±0.1	RM-10/I	
Approved by			Created by	Document type	Rev	Drawing No.
Y.Higuchi			Jh.Huang	Production drawing	00	PY180421M01
Hitachi Metals (Hong kong) Ltd. Panyu Factory					Date of issue	Sheet
					APR 21 2018	1/1